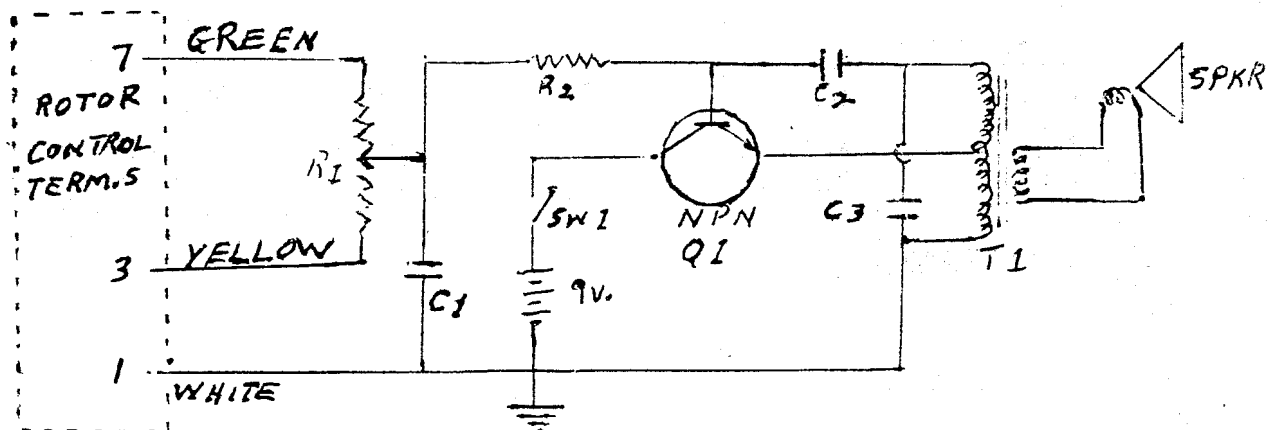


AUDIBLE BEAM DIRECTION INDICATOR

Turn on audible direction indicator. Activate the rotor control. Rotate the control on the audible indicator until an oscillation is heard. The point at which the oscillation begins or stops is the direction in which the beam is pointing. The opposite is true: Move the audible indicator control to the direction desired and rotate the beam until oscillation either starts or stops.

The three wires that make up the cable can be identified by touch. The end of the wires that connect to the terminals in back of the rotor control have knots tied in them. Green has two knots and is connected to terminal 7; yellow has one knot and is connected to terminal 3; the white wire does not have a knot and is connected to terminal 1.

Wires going to 3 and 7 may be reversed for north or south centering. The toggle switch may be used as the north or south direction, depending upon the centering chosen.



- C1 47 MFD 35 V.
- C2 .1 MFD 16V.
- C3 .01 MFD 16V
- R1 10K to 25K Linear Potentiometer
- R2 68K to 82K 1/4 to 1/2 watt
- Q1 NPN type 2N2222 or equivalent
- SW SPST Toggle switch - 1/4" mount
- SPK 2" to 3" 8 ohm speaker .1 to .3 watts
- T1 1000 ohm center-tapped primary. 8 ohm secondary
- Battery, Eveready #522 or equivalent

Use round plastic

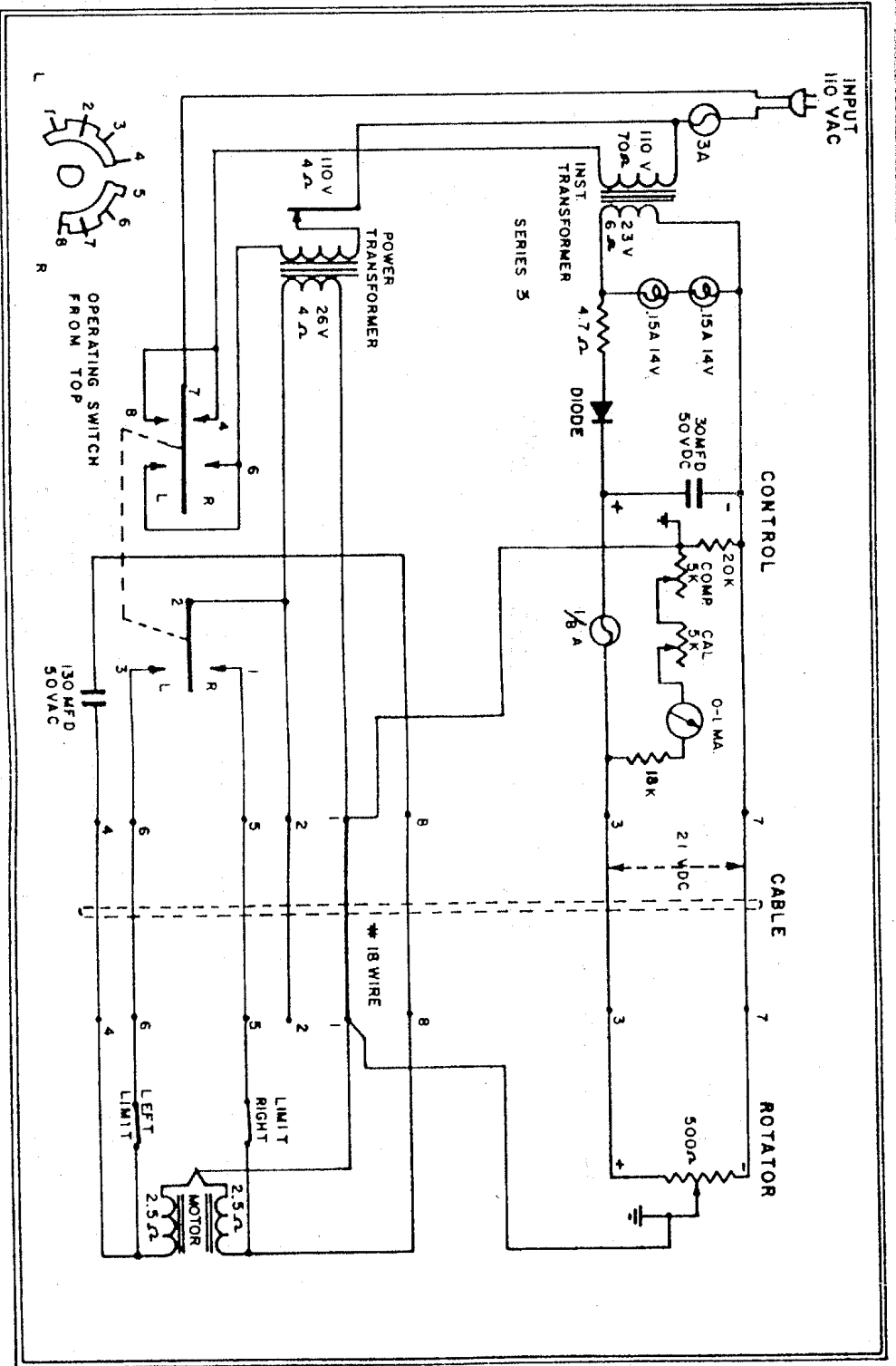


Fig. 1 — Schematic Diagram

(6)

Instrument Special

\$55.65
4.20